



Technical data

Date	6/30/2022
Offer N.	---
Pump Type	CM80-160C

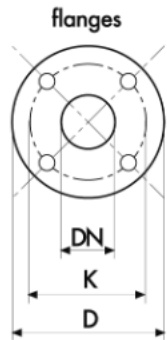
Client	NTD Pumps Co.,LTD	Reference	---
--------	-------------------	-----------	-----

Pump data

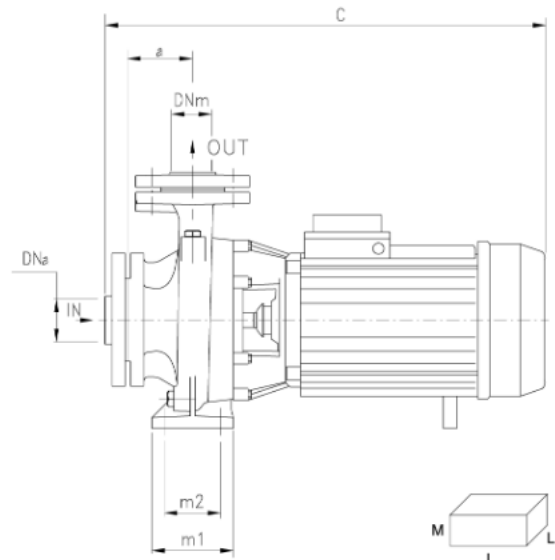
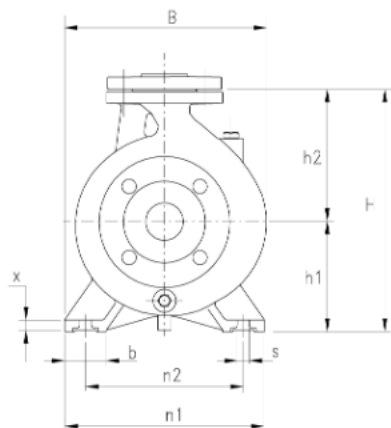
Pump body	Cast iron GJL-250	Monobloc horizontal centrifugal pumps, constructed to EN 733 standards; widely used in water supplies, pressurisation and fire-fighting systems, cooling, heating, irrigation, industrial and agricultural applications. The pumps are equipped with cast iron impeller in standard configuration; on request, they are available with bronze or AISI 316 stainless steel impeller. Pumps are supplied with counter-flange.
Motor bracket	Cast iron GJL-250	
Impeller	Cast iron GJL-250 On request bronze or stainless steel AISI 316	
Mechanical seal	Ceramic-Graphite	
Motor shaft	Stainless steel AISI 304 EN X5CrNi18-10	
Liquid temperature	-10°C +90°C	
Operating pressure	Max 10 bar	

P2		P1 (kW)		A		Q (m ³ /h - l/min)														
(HP)	(kW)	1~	3~	1x230V	3x400V	0	66	72	78	84	96	108	120	132	138	144	156	168	180	195
						H (m)														
20	15	---	14,5	---	24,5	29	30.9	30.7	30.4	30.1	29.4	28.5	27.4	26.3	25.8	25.3	24.1	22.5	20.7	18.4

Technical Sheet



DN	D	K	holes	
			n°	Ø
32	140	100	4	18
40	150	110	4	18
50	165	125	4	18
65	185	145	4	18
80	200	160	8	18
100	220	180	8	18
125	250	210	8	18



DNA	DNM	DIMENSIONS (mm)																Kg
		a	h1	h2	m1	m2	n1	n2	b	x	s	C	B	H	I	L	M	
100	80	125	180	225	125	95	320	250	65	14	14	735	330	405	810	354	480	143

Notes

The information may be subject to change without notice. It is always advisable to contact our commercial department in order to get further information about the products, their technical specifications and warranty conditions. The Company is expressly relieved of any liability for the purchasing of a product not in line with the customer's needs, if not consulted beforehand for a specific consultancy.

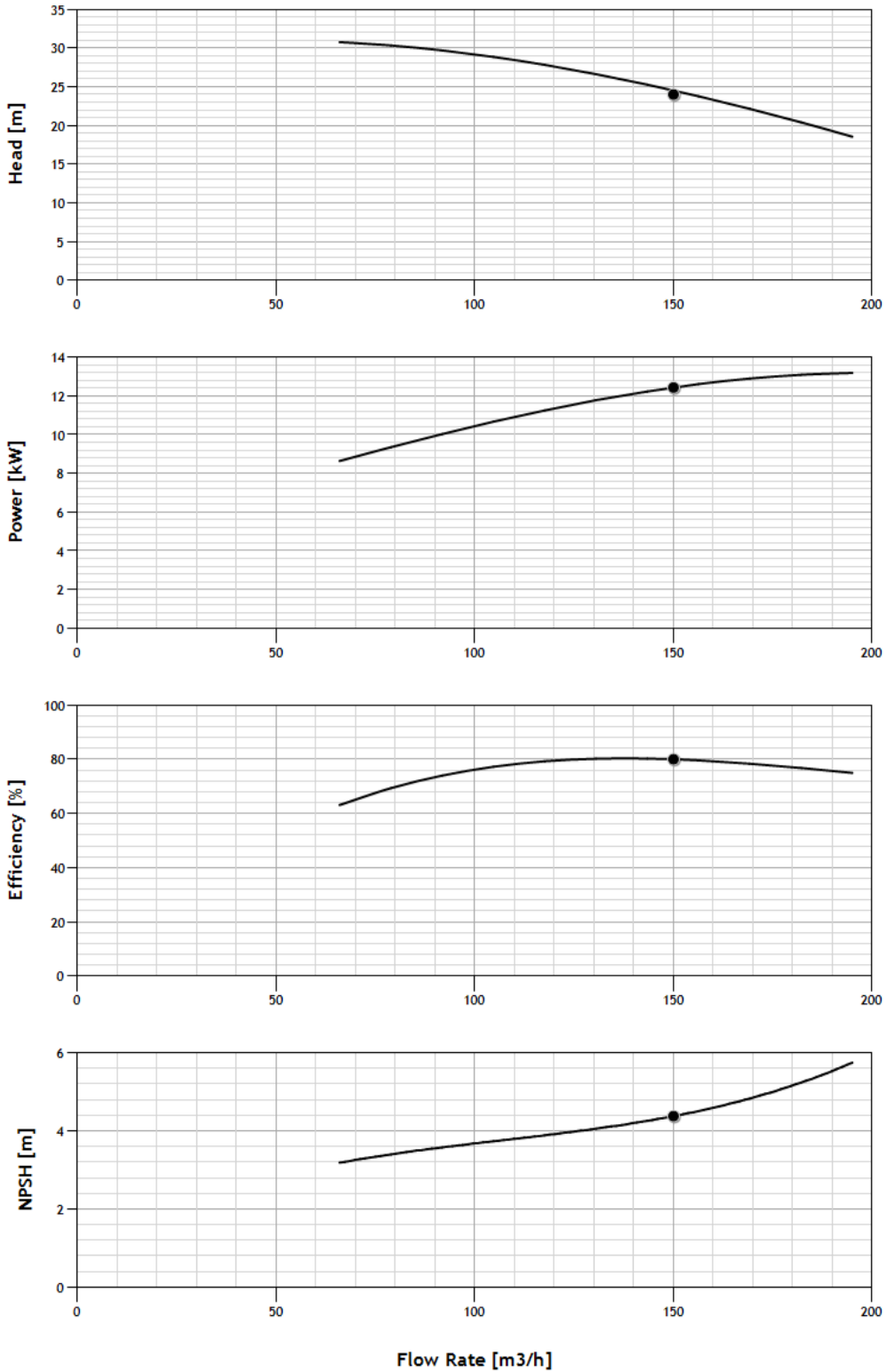


Working Curves

Pump type: CM80-160C

Curv n°:	CM80-160C
Date:	6/30/2022

Q (m³/h) 150 | H (m) 24 | Power [kW] 12.43 | Efficiency % 80 | NPSH (m) 4.38



MEI ≥ 0.4 (regulation EU N. 547/2012)
Tolerances according to UNI ISO 9906 grade 3B