



Technical data

| | |
|-----------|-----------|
| Date | 6/22/2022 |
| Offer N. | --- |
| Pump Type | CA50-250B |
| | |

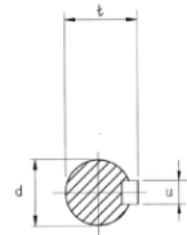
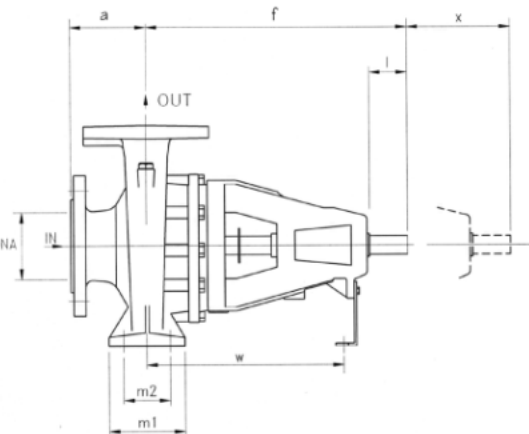
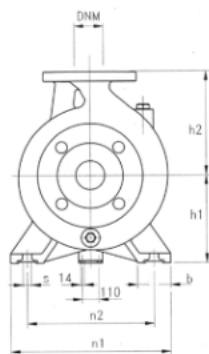
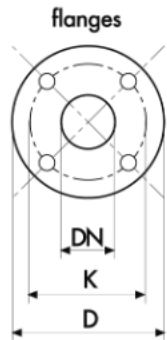
| | | | |
|--------|-------------------|-----------|-----|
| Client | NTD Pumps Co.,LTD | Reference | --- |
|--------|-------------------|-----------|-----|

| Pump data | |
|---------------------------|--|
| Pump body and rear shield | Cast iron GJL-250 |
| Impeller | Cast iron GJL-250 On request bronze or stainless steel AISI 316 |
| Pump bearings support | Cast iron GJL-250 |
| Type of seal | Mechanical ceramic-graphite On request: gland packing graphite |
| Pump shaft end | Stainless steel AISI 316 EN X5CrNiMo17-12-2 |
| Liquid temperature | -10°C +90°C |
| Operating pressure | Max 10 bar |
| | |
| | |
| | |
| | |
| | |

Bare-shaft centrifugal pumps manufactured in accordance with EN 733 and widely used in water supply, pressure boosting and fire fighting systems. The pumps are equipped with counter flanges and can be provided with the motor assembled on a common base frame. In the standard version the pumps have cast iron impeller and mechanical seal. On request are available bronze or stainless steel AISI316 impeller and gland packing seal. In the "X" version all the wet parts of the pump are made of AISI 316.

| P2 | Motor Size | Q (m3/h - l/min) | | | | | | | | | | | | |
|------|------------|------------------|------|-----|------|-----|------|------|-----|------|------|------|------|------|
| | | 0 | 27 | 30 | 33 | 36 | 39 | 42 | 45 | 48 | 54 | 60 | 66 | 72 |
| (kW) | | 0 | 450 | 500 | 550 | 600 | 650 | 700 | 750 | 800 | 900 | 1000 | 1100 | 1200 |
| | | H (m) | | | | | | | | | | | | |
| 18,5 | 180L | 78.8 | 78.4 | 78 | 77.6 | 77 | 76.1 | 75.1 | 74 | 72.9 | 70.3 | 66.9 | 62.9 | 58.5 |

Technical Sheet



| DN | D | K | holes | |
|-----|-----|-----|-------|----|
| | | | n° | Ø |
| 32 | 140 | 100 | 4 | 18 |
| 40 | 150 | 110 | 4 | 18 |
| 50 | 165 | 125 | 4 | 18 |
| 65 | 185 | 145 | 4 | 18 |
| 80 | 200 | 160 | 8 | 18 |
| 100 | 220 | 180 | 8 | 18 |
| 125 | 250 | 210 | 8 | 18 |



| DNA | DNM | DIMENSIONS (mm) | | | | | | | | | | | | | | | | | | Kg | |
|-----|-----|-----------------|-----|-----|-----|-----|----|-----|-----|----|----|----|----|----|---|-----|-----|-----|-----|-----|----|
| | | a | f | h1 | h2 | m1 | m2 | n1 | n2 | s | b | i | d | t | u | x | w | l | L | | M |
| 65 | 50 | 100 | 360 | 180 | 225 | 100 | 95 | 320 | 250 | 14 | 65 | 50 | 24 | 27 | 8 | 100 | 260 | 680 | 405 | 545 | 53 |

Notes

The information may be subject to change without notice. It is always advisable to contact our commercial department in order to get further information about the products, their technical specifications and warranty conditions. The Company is expressly relieved of any liability for the purchasing of a product not in line with the customer's needs, if not consulted beforehand for a specific consultancy.



Working Curves

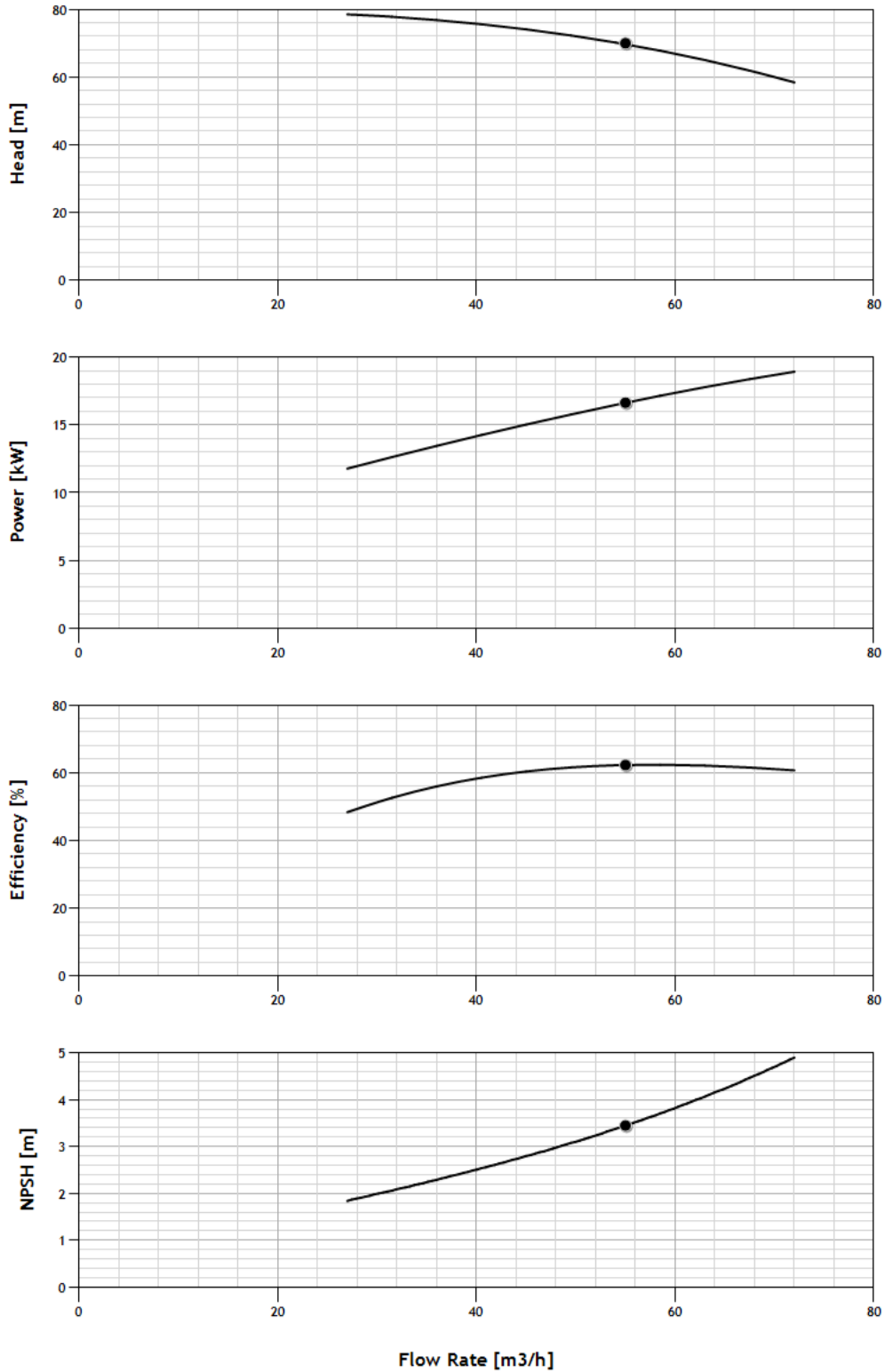
Pump type: CA50-250B

Curv n°: CA50-250B

Date: 6/22/2022

Pump Speed: 2900 rpm

Q (m3/h) 55 | H (m) 70 | Power [kW] 16.64 | Efficiency % 62.3 | NPSH (m) 3.45



MEI ≥ 0.4 (regulation EU N. 547/2012)
Tolerances according to UNI ISO 9906 grade 3B